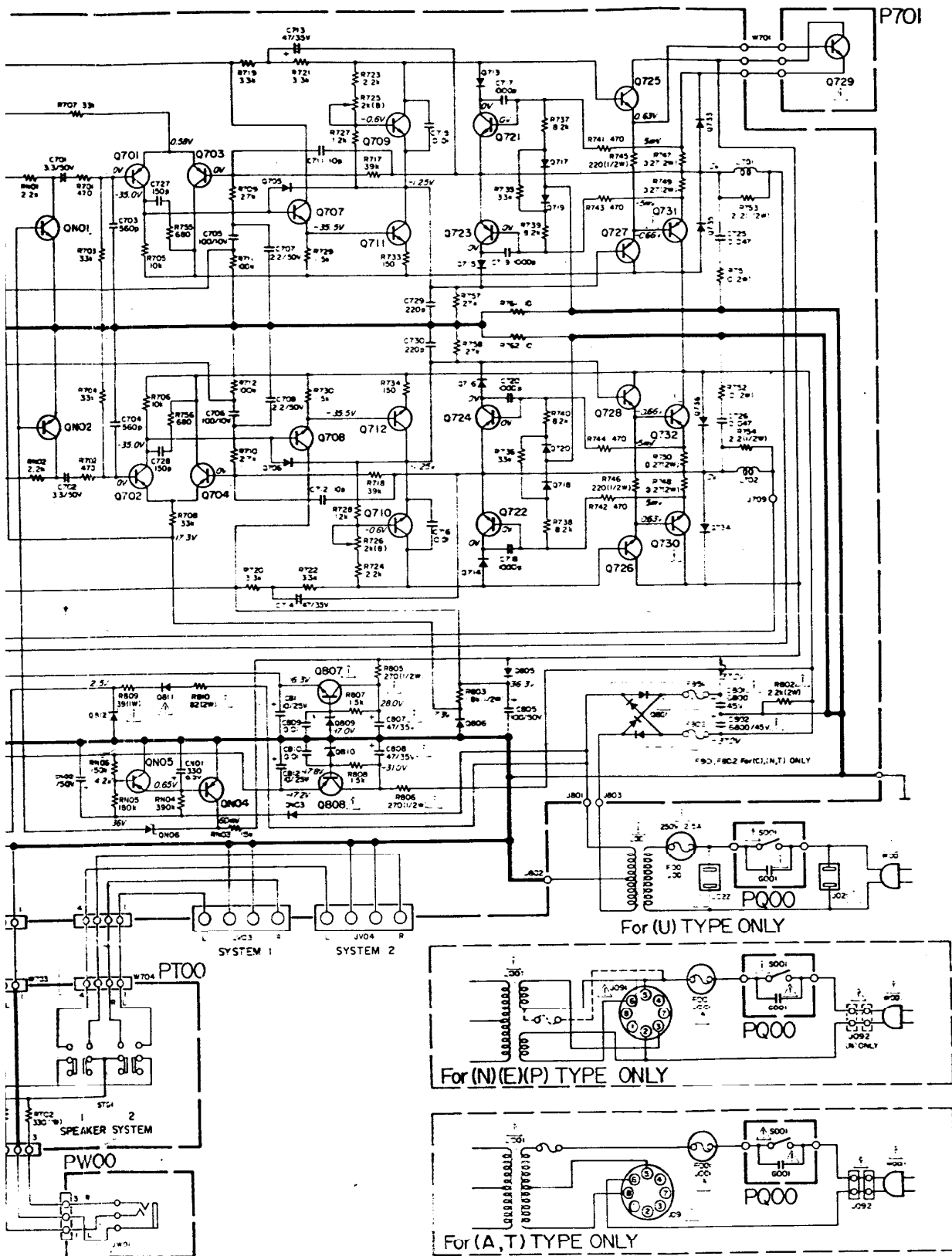
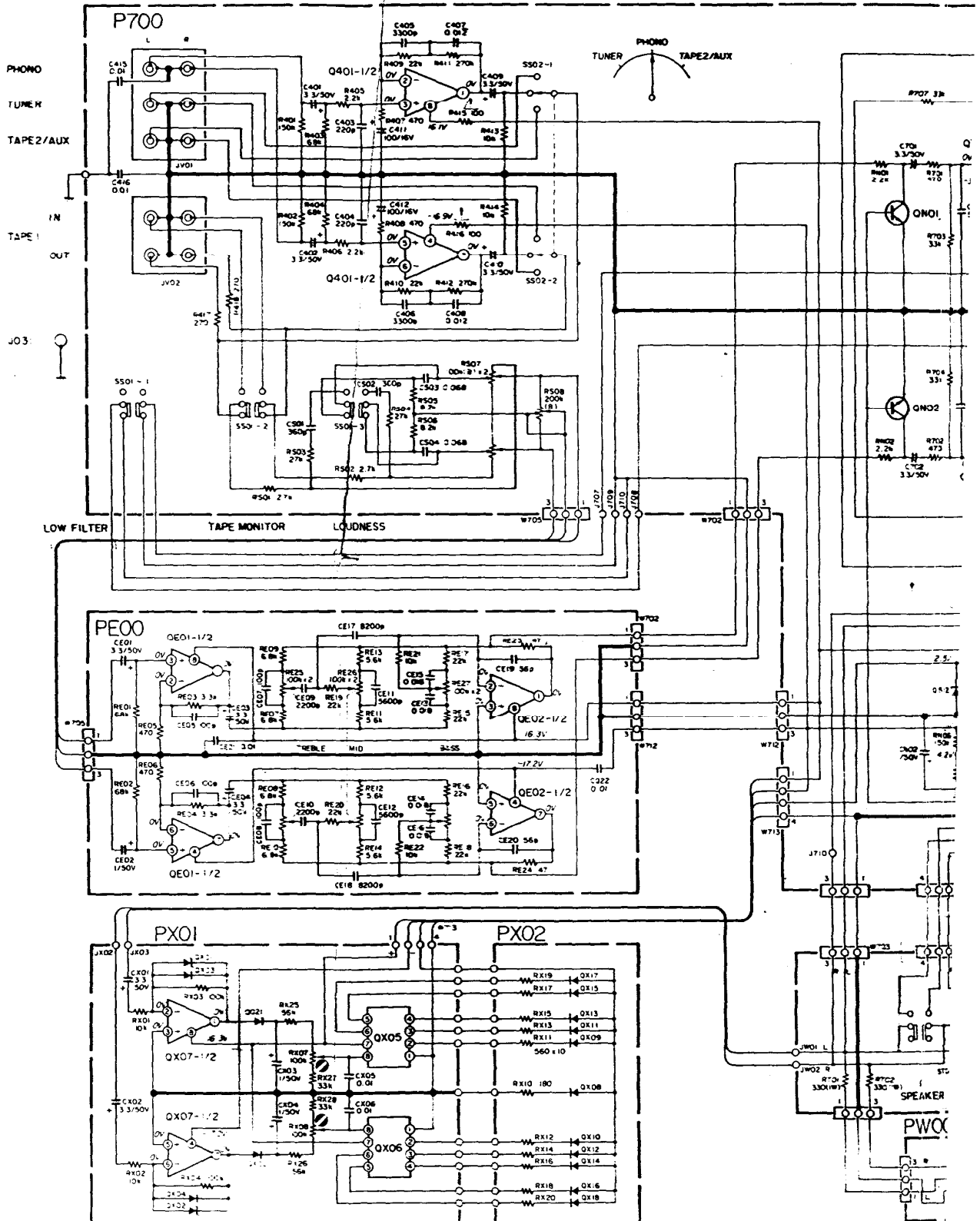


# SCHEMATIC DIAGRAM FOR Model PM350



- Q401 4558D
- Q701~Q704 25A750(E)
- Q705, Q706 52471
- Q707, Q708 25C1400(E)
- Q709, Q710 25C945(P)
- Q711, Q712 25D666(B, C)
- Q713~Q716 51555
- Q717~Q720 52472
- Q721, Q722 25C945(O)
- Q723, Q724 25A733(O)
- Q725, Q726 25D667(C, D)
- Q727, Q728 25B647(C, D)
- Q729, Q730 25C2578(O, Y)
- Q731, Q732 25A1103(O, Y)
- Q733~Q736 W06B
- Q801 54V820
- Q805 J5135D
- Q806, Q809, Q810 HZ16L
- Q807 25D571LK
- Q808 25B625LK
- Q812 HZ16L
- QE01, QE02 4558D
- QX01, QX02 WZ038
- QX03, QX04 51555
- QX05, QX06 TL489C
- QX07 1A6552
- QX08 GL-9NG9
- QX09~QX18 GL-9PR9
- Q811 05135



Note on safety: The parts marked with i are important parts on the safety. Please use the parts marked with the number.